



### **Pv 30a 1000vdc Fuse Holder For Solar System Protection**

ADELS® is a specialized in high quality Pv 30a 1000vdc Fuse Holder For Solar System Protection manufacturer and supplier in China. The ADPV-30 PV 30A 1000V Dc Fuse Holder is specifically designed to provide fast-acting protection under overload current conditions associated with Photovoltaic (PV) systems. ADPV-30

Fuse Holder was designed and manufactured, complying with the standard IEC60269-1, IEC60269-6. The recommended fuse link size is 10x38mm, which can safely protect 1000VDC Photovoltaic (PV) systems. It applied for PV DC combiner box, inverter etc. 1000VDC 30A 10x38mm Solar PV DIN Rail Fuse Holder was made of the flame-retardant shell with V0 standard, and the dead-front design made it possible to match the busbar mounting in the Photovoltaic (PV) system. ADPV-30 PV 30A 1000V Dc Fuse Holder also available in 1, 2, 3 and 4-pole configurations. Contact us for more details of our 1000VDC Solar PV Fuse Holder!!!

**Model:ADPV-30**

ADELS® is Pv 30a 1000vdc Fuse Holder For Solar System Protection manufacturers and suppliers in China who can wholesale Pv 30a 1000vdc Fuse Holder For Solar System Protection.

### **Pv 30a 1000vdc Fuse Holder For Solar System Protection**

- Photovoltaic Applications
- Max Breaking Capacity up to 20KA, Effective Protection
- The Innovation Replacing Fuse Link
- Led Indicator, Reminding Fuse Link Replacement
- Be Suit for 10x38mm Fuse Size
- Comply with: IEC60269-1 & IEC60269-6

### **Pv 30a 1000vdc Fuse Holder For Solar System Protection Application**

#### **Wenzhou Feimai Electric Co., Ltd.**

**Address:**No.75 Xinguang Avenue, Xinguang Industrial Zone, Liushi, Yueqing City, Zhejiang Province, P.R.China.

**Phone:**+86-13968753197

**Fax:**+86-577-62797770

**Tel:**+86-577-62797750

**E-mail:**sale@adels-solar.com

ADPV-30 Fuse Holder was designed and manufactured, complying with the standard IEC60269-1, IEC60269-6. The Rated Current up to 30A, rated voltage up to 1000V DC. It applied for PV DC combiner box, inverter etc, with the main function of over-current protection and effective disconnection.

<ul style="list-style-type: none"> <li>• Photovoltaic Applications</li> <li>• Max Breaking Capacity up to 20KA, Effective Protection</li> <li>• The Innovation Replacing Fuse Link</li> <li>• Led Indicator, Reminding Fuse Link Replacement</li> <li>• Be Suit for 10x38mm Fuse Size</li> <li>• Comply with: IEC60269-1 &amp; IEC60269-6</li> </ul>	
--	---

## Pv 30a 1000vdc Fuse Holder For Solar System Protection Type Instruction

Model	ADPV- 30 1000V			
ADPV	-	30		1000
Product Code		Max Rated Current		Rated Voltage
PV DC Fuse Holder		30A		1000V

PV DC ADPV-30 Fuse Holder	
Pole	IP
According to	IEC 60269
Electrical Characteristics	
Rated Working Voltage Ue	1000 VDC
Rated Current In	30A
Breaking Capacity	20KA
Max Power Dissipation	3W

### Wenzhou Feimai Electric Co., Ltd.

**Address:**No.75 Xinguang Avenue, Xinguang Industrial Zone, Liushi, Yueqing City, Zhejiang Province, P.R.China.

**Phone:**+86-13968753197

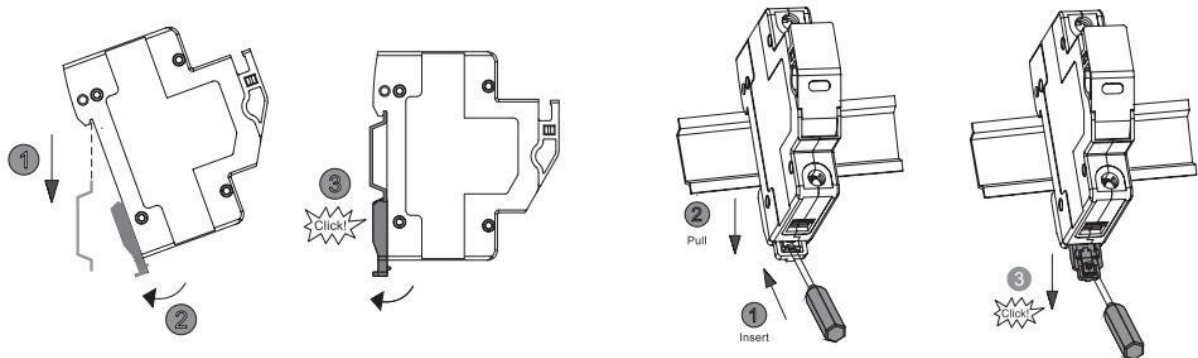
**Fax:**+86-577-62797770

**Tel:**+86-577-62797750

**E-mail:**sale@adels-solar.com

Control and Indication	
Operating State/Fault Indication	Indicator Light oFF/Indicator Light ON
Connection and Installation	
Wire	2.5mm <sup>2</sup> ~25mm <sup>2</sup>
Terminal Screws	M5
Torque Nm	2.5
Degree of Protection	IP20
Installation Environment	
Fuse Size	10x38mm
Operating Temperature Range TU	-40℃ ~+85℃
Relative Humidity	TH35-7.5/DIN35
Weight kg	3
Relative Humidity	+20℃ ≤95%,+40℃≤50%
Weight	0.07kg Per pole
Installation Class	III

## Installation



## Replacement Fuse

### Wenzhou Feimai Electric Co., Ltd.

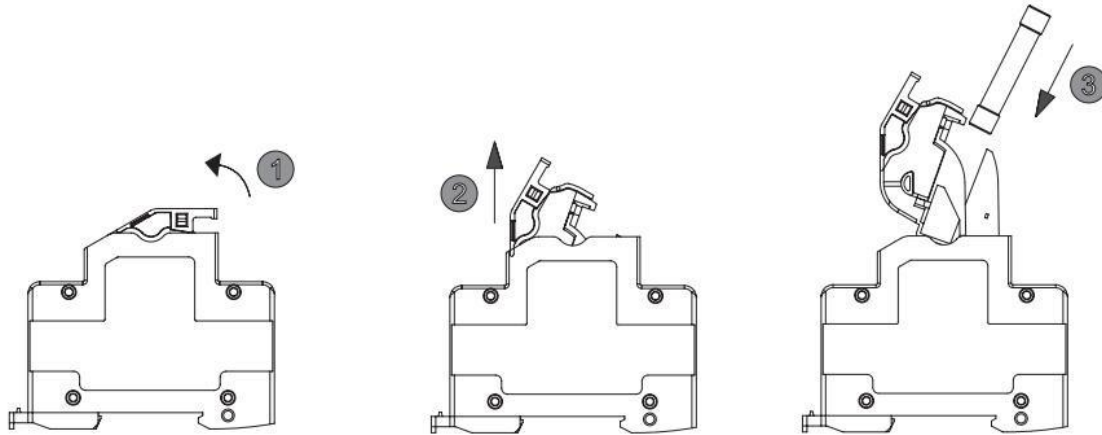
**Address:**No.75 Xinguang Avenue, Xinguang Industrial Zone, Liushi, Yueqing City, Zhejiang Province, P.R.China.

**Phone:**+86-13968753197

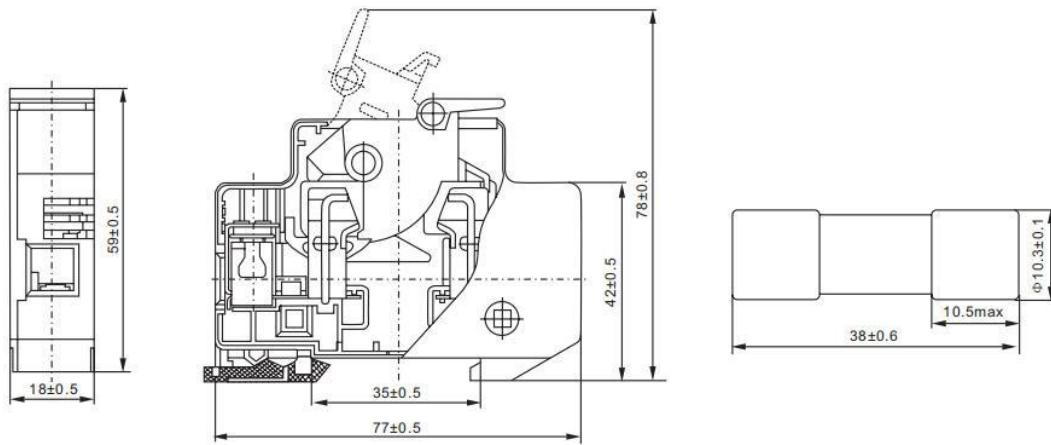
**Fax:**+86-577-62797770

**Tel:**+86-577-62797750

**E-mail:**sale@adels-solar.com



## Dimensions(mm)



### Wenzhou Feimai Electric Co., Ltd.

**Address:**No.75 Xinguang Avenue, Xinguang Industrial Zone, Liushi, Yueqing City, Zhejiang Province, P.R.China.

**Phone:**+86-13968753197

**Fax:**+86-577-62797770

**Tel:**+86-577-62797750

**E-mail:**sale@adels-solar.com